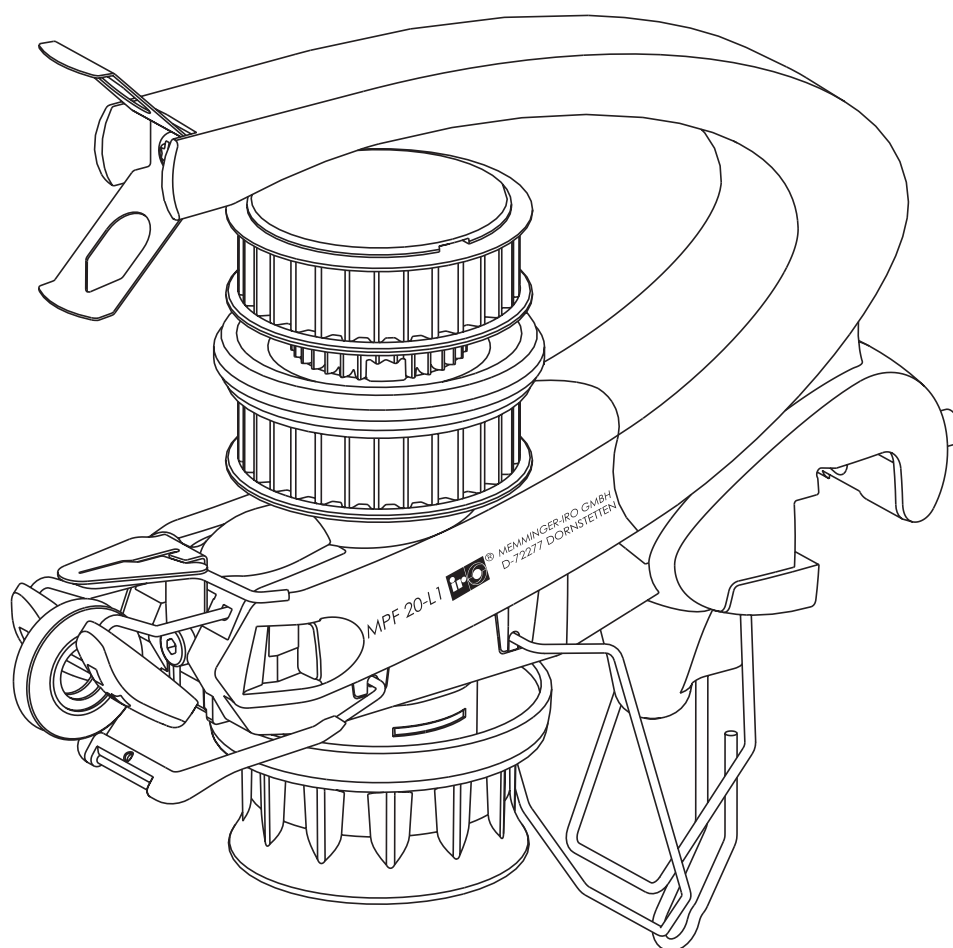


**Betriebsanleitung**  
**Operating Instructions**  
**Instructions de service**  
**Instrucciones de uso**  
**Istruzioni per l'uso**  
**Kullanma Kilavuzu**  
**Instruções de utilização**  
操作手册

english

# MPF-L



**MEMMINGER-IRO GMBH**  
**D-72277 DORNSTETTEN**

001.920.005  
21.02.05

# Index

|   |     |
|---|-----|
| <b>Index</b> .....                              | 17  |
| <b>Important notes</b> .....                    | 18  |
| <b>Function</b> .....                           | 19  |
| Parts description .....                         | 19  |
| Function .....                                  | 19  |
| MPF-L versions .....                            | 19  |
| Anti-filamentation .....                        | 20  |
| Integral stop motion lockout .....              | 20  |
| <b>Installation</b> .....                       | 21  |
| Space requirements for installation .....       | 21  |
| Installation of tensioners .....                | 21  |
| MPF-L installation .....                        | 21  |
| Fitting of internal adjustment pulleys .....    | 22  |
| Fitting of external adjustment pulleys .....    | 22  |
| <b>Electrical connection</b> .....              | 23  |
| Switch-OFF functions .....                      | 23  |
| Isolating switch for outlet stop motion .....   | 23  |
| MPF-L functional test .....                     | 23  |
| <b>Operation</b> .....                          | 24  |
| MPF-L threading .....                           | 24  |
| Replacement and cleaning of tension rings ..... | 25  |
| <b>Accessories</b> .....                        | 26  |
| Tube holder .....                               | 26  |
| Knot catcher .....                              | 26  |
| Outlet hook with grooved eyelet .....           | 26  |
| Inlet arm with tube clip .....                  | 27  |
| Inlet arm with eyelet holder .....              | 27  |
| Barrel tensioner .....                          | 27  |
| <b>Accessories for installation</b> .....       | 28  |
| Installing inlet arm (conversion set) .....     | 28  |
| Removing cover .....                            | 28  |
| Installing eyelet holder .....                  | 28  |
| Installing inlet arm .....                      | 29  |
| Tube fixing with tube clip .....                | 29  |
| Installing barrel tensioner .....               | 30  |
| <b>Maintenance</b> .....                        | 31  |
| Removing feed wheel .....                       | 31  |
| Removing drive pulleys .....                    | 31  |
| <b>Trouble shooting</b> .....                   | 32  |
| <b>Technical data</b> .....                     | 32  |
| <b>Dimension drawing</b> .....                  | 129 |

english

We are pleased that you selected a MEMMINGER-IRO product.  
The more familiar you are with this product, the better are the results you will achieve.



### **Important notes!**

Please read through these operating instructions before you start to operate the device. They include important information and notes which must be observed when using this device.

The MPF-L is exclusively intended for feeding staple and filament yarns into circular knitting machines.

We would like to emphasise that we do not take any liability for damages and operating faults which result from incorrect use or improper handling of this device.

Please ensure that the operating voltage is within the permissible range of this device.

All electrical connections must be made by authorised personnel.

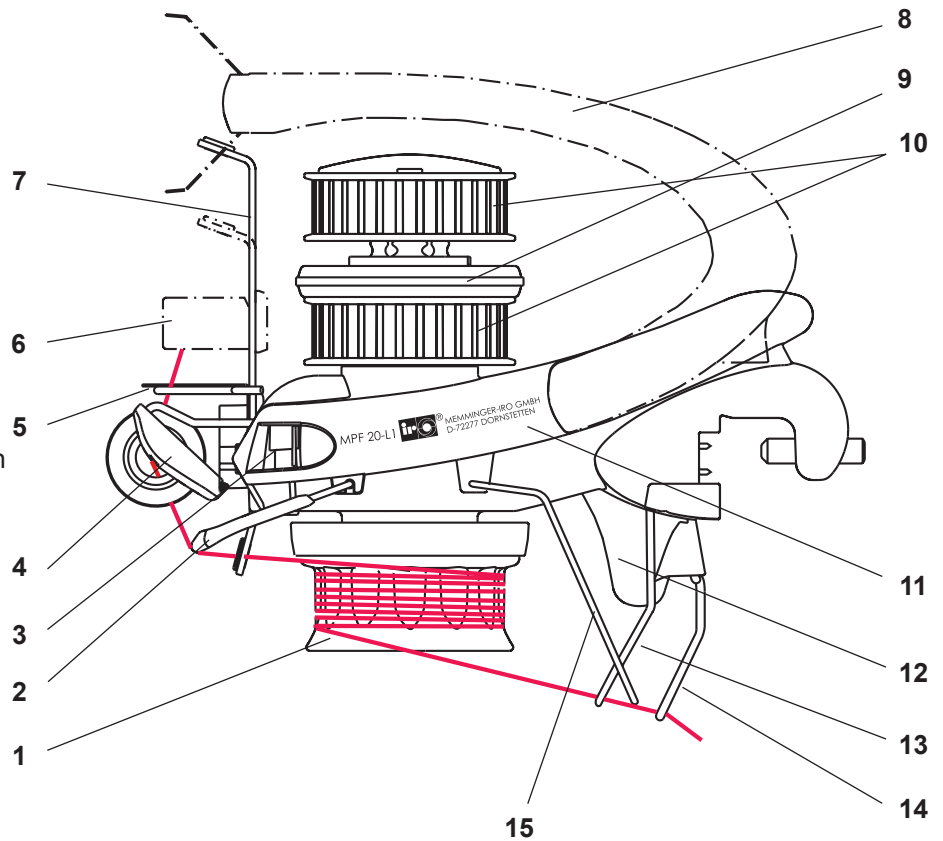
The adjustment pulley and the tensioner may only be adjusted when the circular knitting machine is switched off.

When the circular knitting machine is in operation, the traditional precautionary measures must be taken at the adjustment pulley and the guide pulleys.

In order to prevent hazards, the drives must be completely closed with suitable covers when adjustment pulleys are retrofitted.

**Parts description**

- 1 - Feed wheel
- 2 - Inlet stop motion
- 3 - Stop motion lockout
- 4 - Tension ring holder with tension rings
- 5 - Knot catcher
- 6 - Tube holder
- 7 - Inlet bracket
- 8 - Inlet arm (optional)
- 9 - Clutch
- 10 - Toothed belt pulleys
- 11 - Chassis
- 12 - STOP pilot lamp
- 13 - U bracket
- 14 - Outlet hook
- 15 - Outlet stop motion



english

**Function**

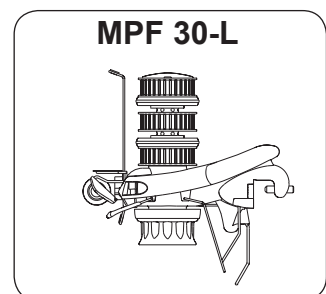
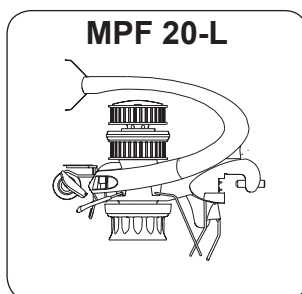
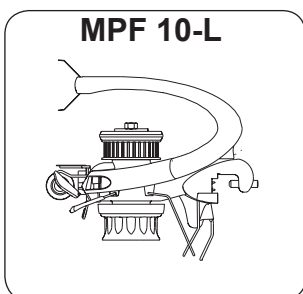
The MPF-L is a new generation of the internationally well-known Memminger Positive Feeder MPF. Based on productive dynamism, we designed the MPF-L to meet the high requirements of our extremely demanding customers. The MPF-L strengthens the tradition of our devices standing for a positive and uninterrupted yarn feeding and thus for a constant and fault-free production.

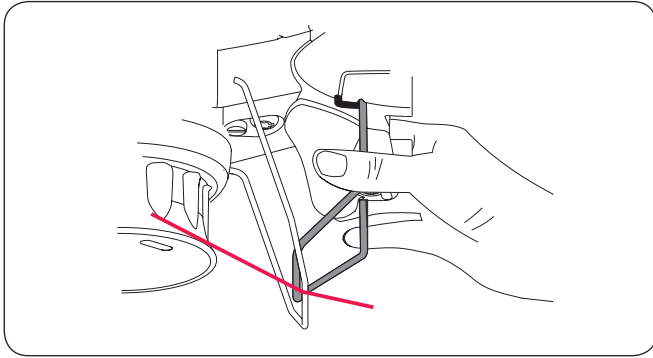
The design is a completely new development and is characterised by functionality and ergonomics. We put special focus on simple operation and maintenance, wear resistance and a long service life.

**The following MPF-L versions are available:**

MPF10-L with one, MPF 20-L with two and MPF 30-L with three belt pulleys depending on the knitting machine and the stitch construction.

12 volt and 24 volt, depending on the power supply of the circular knitting machine.





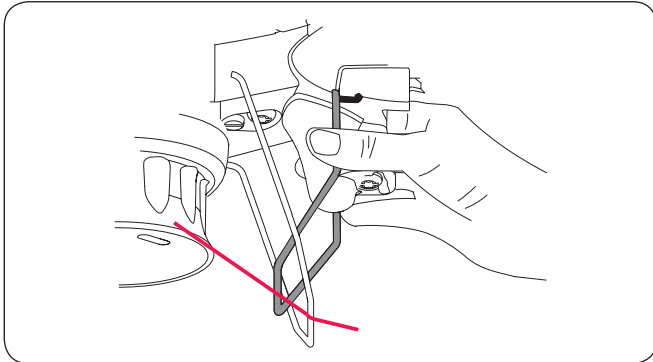
## Anti-filamentation

The U-bracket can be adjusted into 2 positions by pressing it together and then sliding it:

### Back position

When moving the U-bracket into the back position, it must be pressed together and pushed upward slightly.

- ▶ Flat yarn reel-off from the feed wheel for staple fibre yarns.

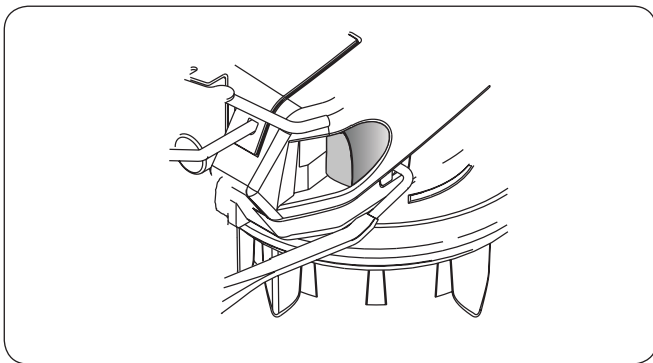


### Front position

When moving the U-bracket into the front position, it must be pressed together and pushed downwards slightly.

- ▶ Steep yarn reel-off from the feed wheel for filament yarns (**anti-filamentation!**).

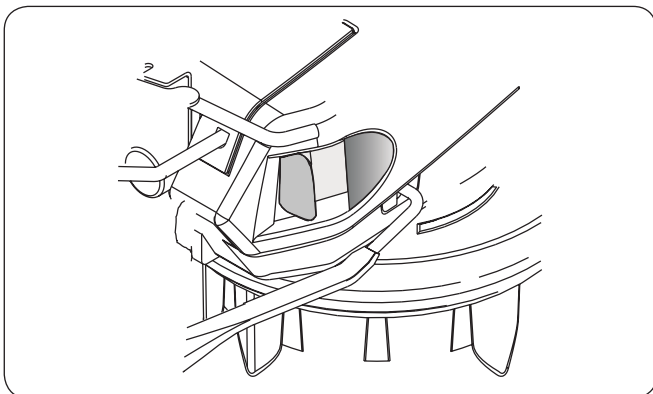
When processing filament yarns, broken filaments may build up and disrupt a smooth yarn movement. The front position of the U-bracket prevents filamentation. The back position, on the contrary, is suitable for staple fibre yarns.



## Integrated stop motion lockout

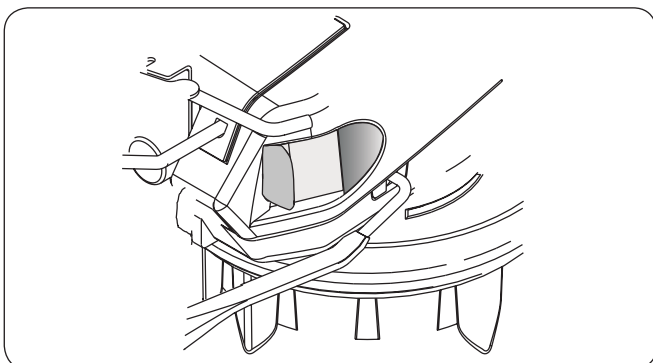
### Back position

- ▶ Inlet and outlet stop motions in operating position, freely movable.



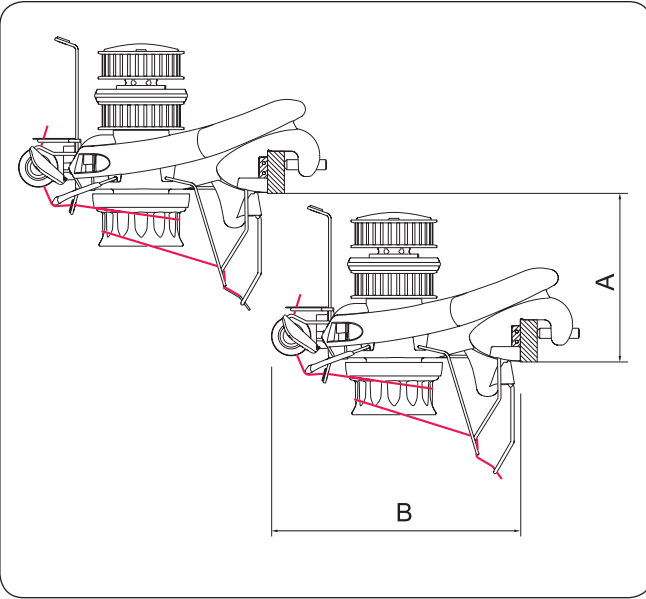
### Centre position

- ▶ Inlet stop motion in operating condition, freely movable. Outlet stop motion locked.



### Front position

- ▶ Inlet and outlet stop motions locked.



## Space requirements for the installation of MPF-L

When mounting the MPF-L on one or more rings, the following clearances ensure optimum yarn reel-off:

### MPF L-10:

|   |   |        |
|---|---|--------|
| A | = | 70 mm  |
| B | = | 150 mm |

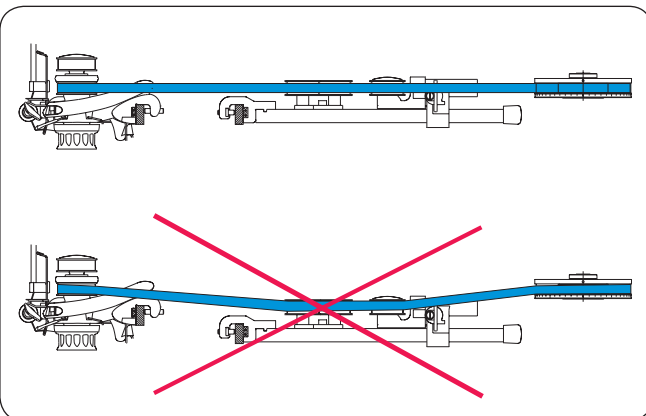
### MPF L-20:

|   |   |        |
|---|---|--------|
| A | = | 100 mm |
| B | = | 150 mm |

### MPF L-30:

|   |   |        |
|---|---|--------|
| A | = | 130 mm |
| B | = | 150 mm |

Minimum clearance between two MPF-L on the ring circumference: = 75 mm



## Installation of tensioners



### ATTENTION!

In order to prevent damages to the toothed belts, the following points must be observed:

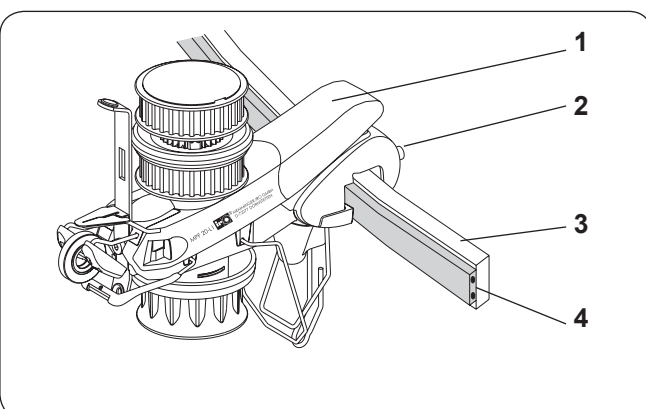
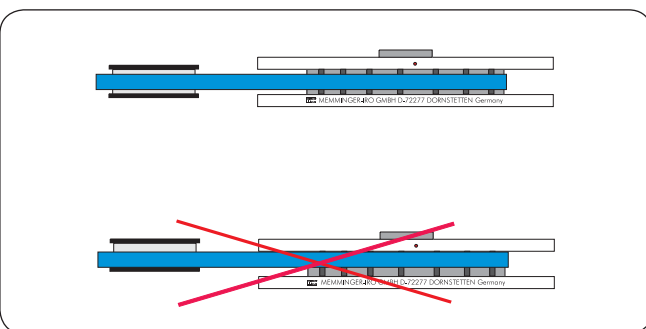
Quality adjustment pulley, tension pulleys and belt pulleys must be adjusted horizontally to the same height. The toothed belt must not rub on the edges of the adjustment pulley or the belt bulleys.

Please ensure correct tensioning of the toothed belts. We recommend our spring-loaded tensioner.

Always release the tensioner prior to adjusting the adjustment pulleys.

Avoid contaminated adjustment pulleys or a sluggishly running MPF-L.

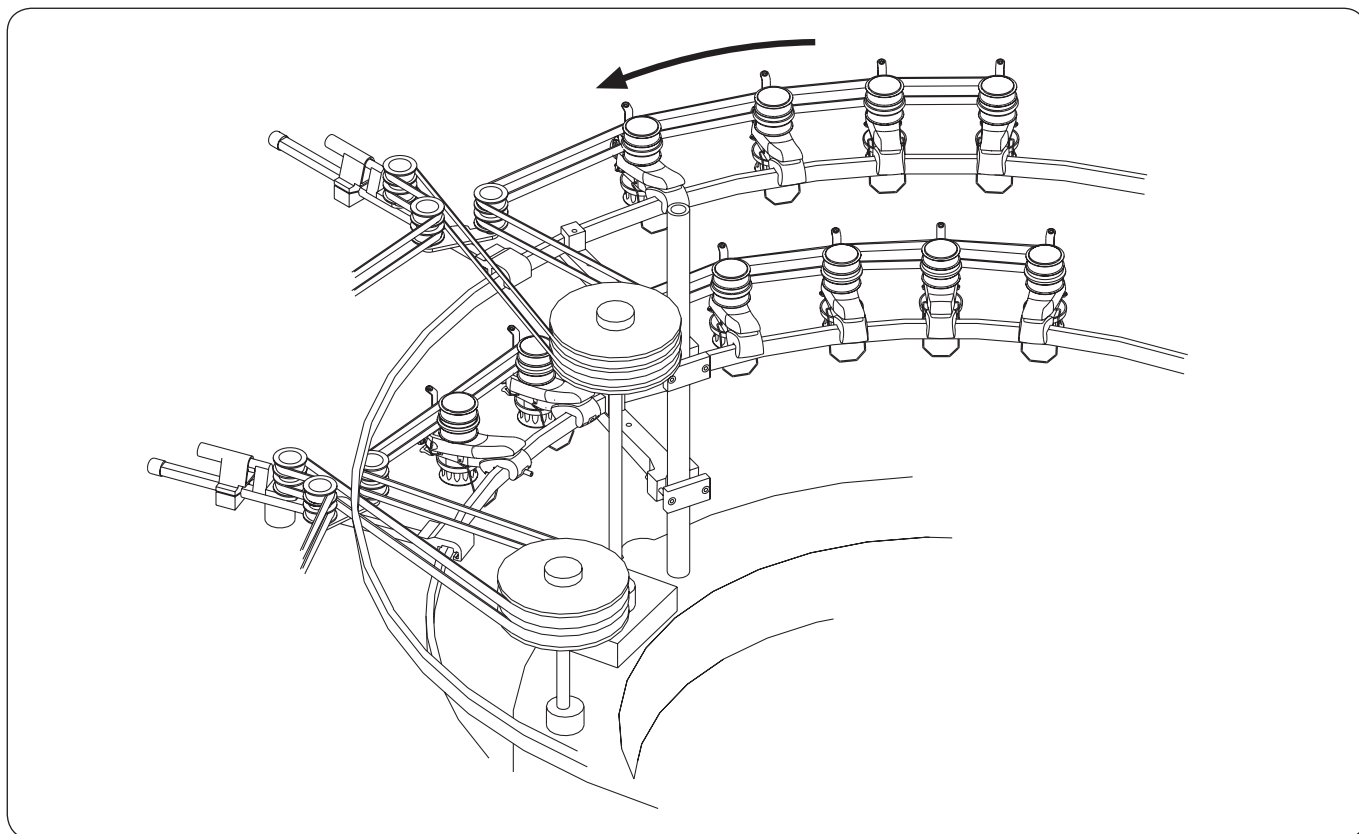
Always make sure that the toothed belt is neither buckled nor twisted.



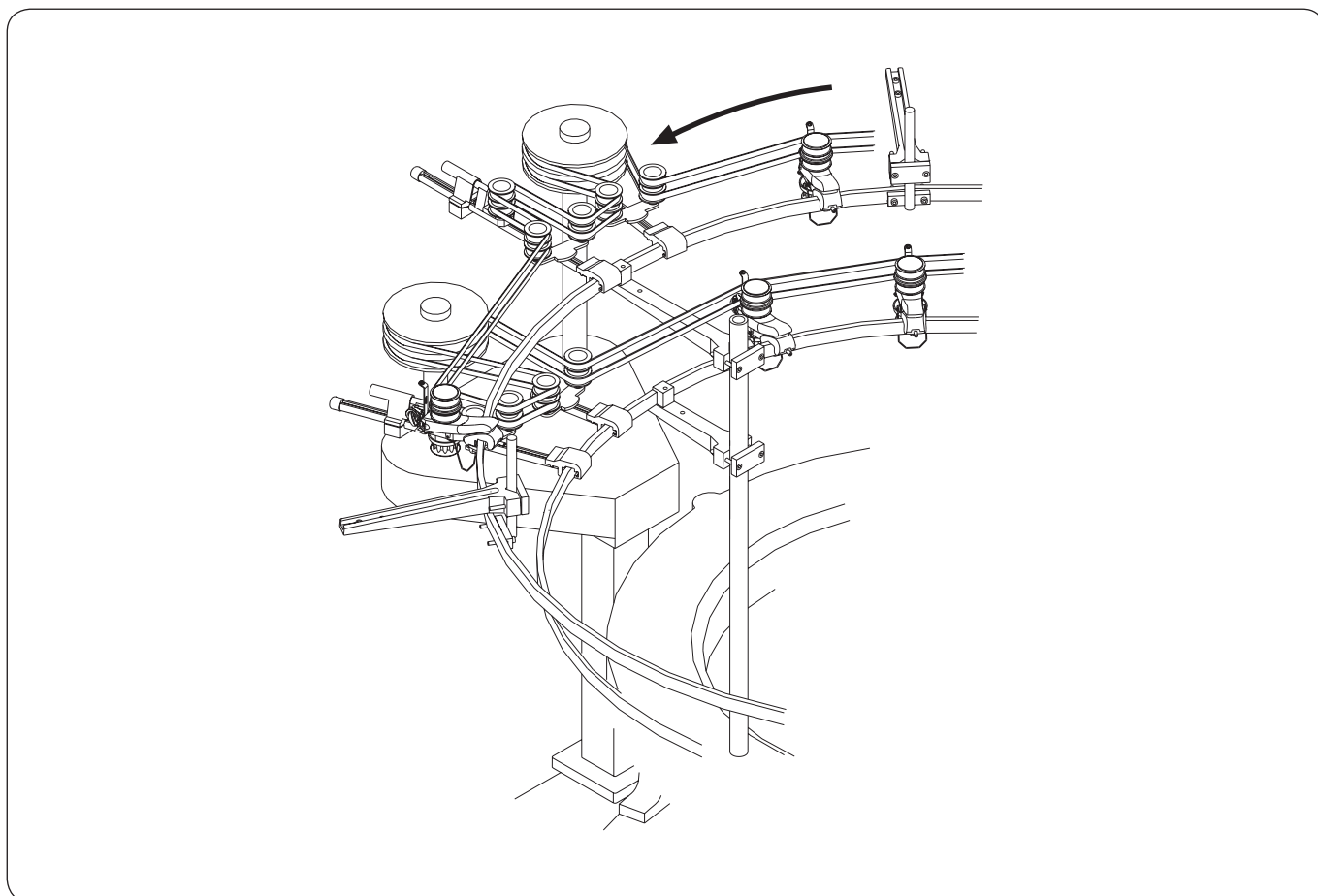
## MPF-L installation

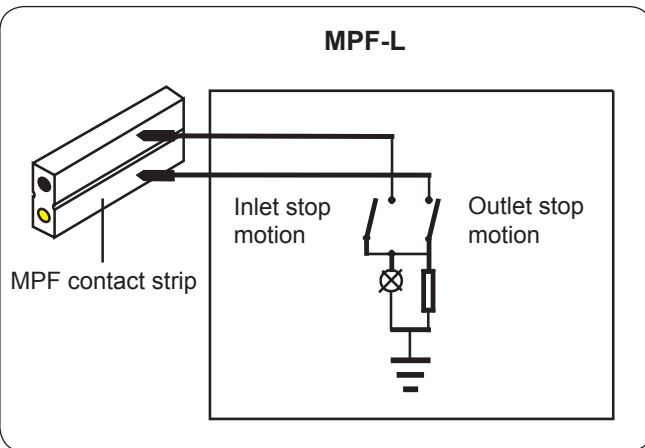
- ▶ Fit and connect the MPF contact strip (4) to the yarn feeder ring (3).
- ▶ Mount the MPF-L (1) onto the yarn feeder ring (3).
- ▶ Make sure that the MPF-L rests on the upper edge of the ring and is mounted horizontally.
- ▶ Tighten the threaded screw (2). Max. tightening torque 5 Nm.

### Fitting of internal adjustment pulleys



### Fitting of external adjustment pulleys





## Electrical connection

### Characteristics of the MPF-L switch-OFF functions:

In case of a yarn break, one or both current circuits close the contact to earth via an incandescent lamp.

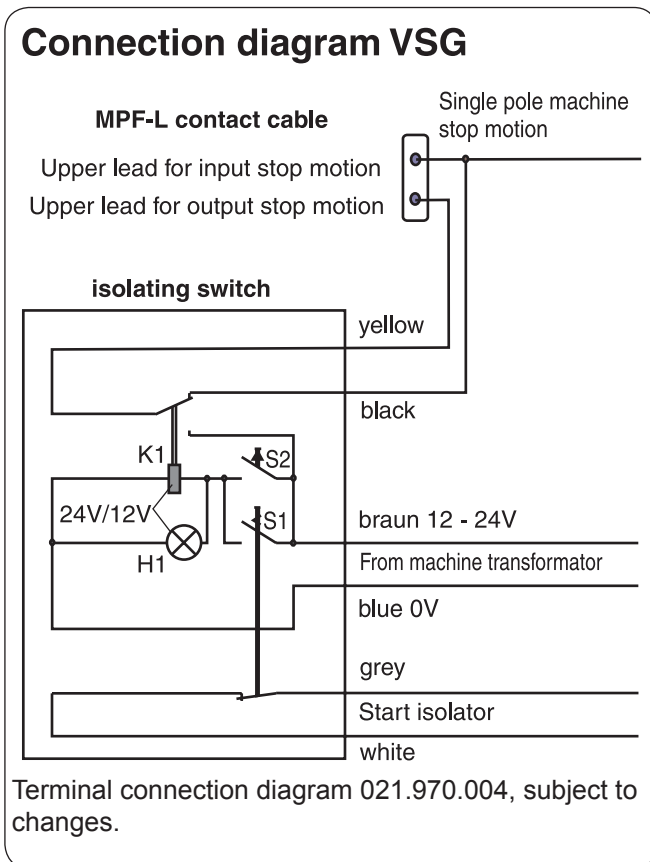
For the inlet and outlet stop motion, an incandescent light with 12 V 50 mA or 24 V 30 mA, depending on the control voltage of the circular knitting machine.

To guarantee a safe machine switch-off when the incandescent lamp is faulty, a resistance is integrated parallel to the lamp.



**Attention!**  
Maximum contact load 10A!

english



### Switch-OFF functions of the circular knitting machines:

To facilitate on-knitting, the outlet stop motion switch-off can be separated from the machine switch-off with the “isolating switch for the outlet stop motion”. With an activated isolating switch, the circular knitting machine can be run in the slow operating mode, even if the incandescent lamp lights.

#### Isolating switch for outlet stop motion

#### Switch function:

##### Switch S1 ON:

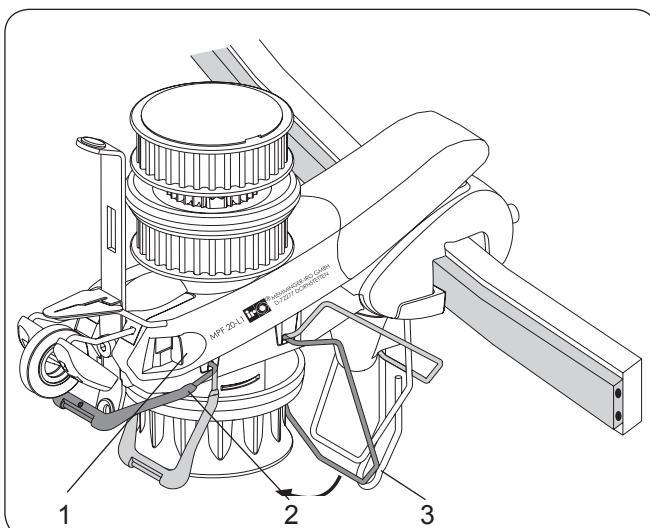
- Outlet stop motion is activated,
- Lamp H1 out,
- Motor relay is not interrupted.

##### Switch S1 OFF:

- Outlet stop motion is deactivated,
- Lamp H1 lit,
- Motor relay is interrupted.

##### TIP switch S2 pressed:

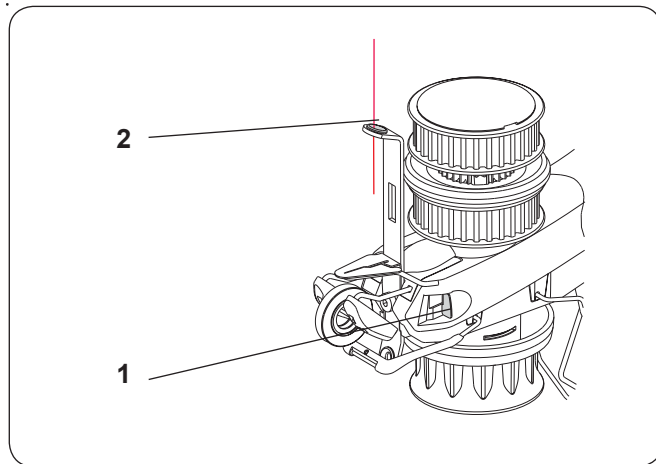
- Outlet stop motion is deactivated,
- Lamp H1 lit,
- Motor relay not interrupted, machine can be started.



## MPF-L functional test

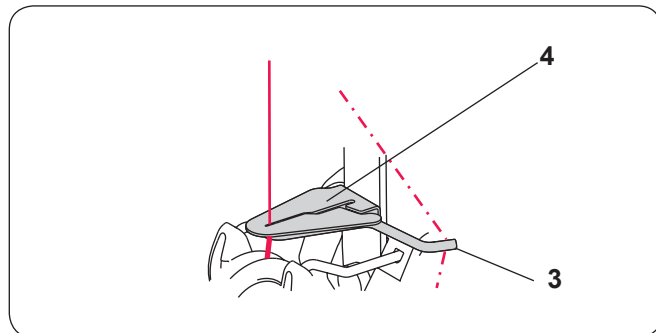
- ▶ Set the stop motion lockout (1) to the back position.
- ▶ Press the inlet stop motion (2) upwards, put the outlet sensor (3) to the switch-OFF position, the lamp must light.
- ▶ Set the stop motion lockout (1) to the centre position.
- ▶ Put the inlet stop motion (2) to the switch-OFF position, the lamp must light up.



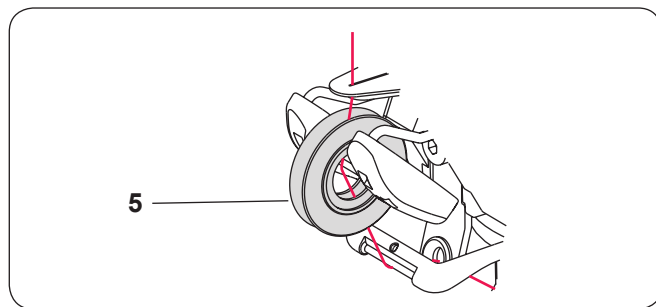


## MPF-L threading

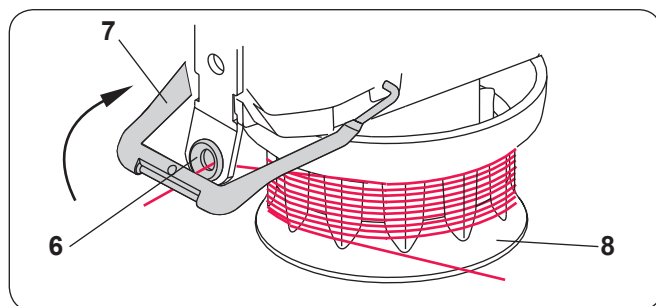
- ▶ Push the stop motion lockout (1) to the back end. The inlet and outlet stop motion must be freely movable.
- ▶ Thread the yarn through the eyelet of the inlet bracket (2).



- ▶ Draw the yarn from the back through the yarn limiting hook (3) and the knot catcher (4).



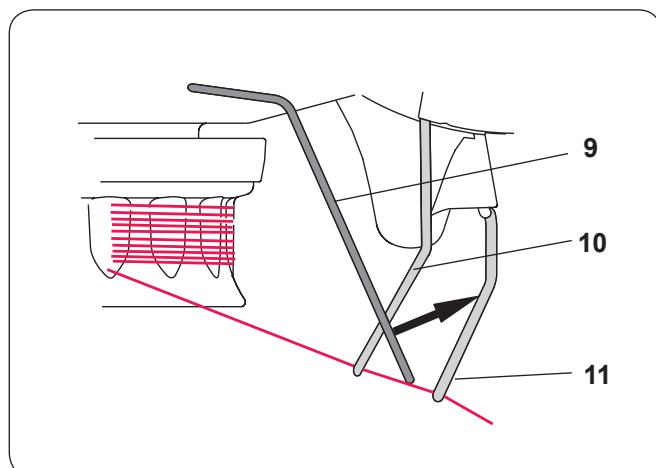
- ▶ Put the yarn from the front between the tension discs (5).



- ▶ Hold up the inlet stop motion (7) and thread the yarn through the eyelet (6).

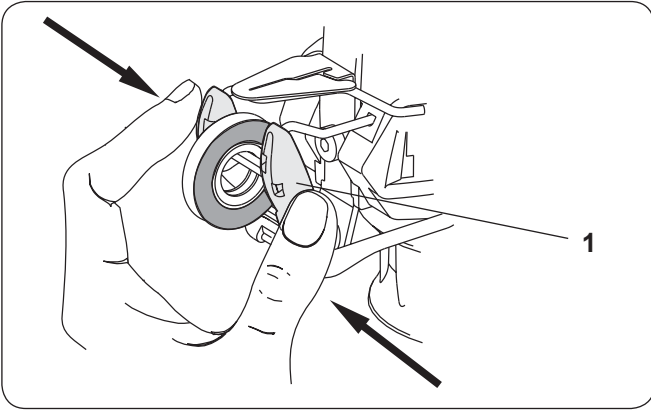
- ▶ Release the clutch.

**Wind approx. 20 yarn windings** onto the feed wheel (8) in accordance with the direction of travel of the drive belt.



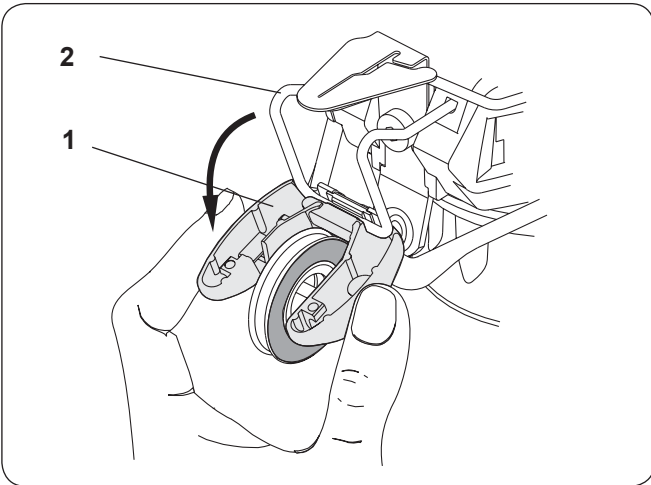
- ▶ Push the outlet stop motion (9) slightly to the back, thread the yarn through the U bracket (10) and hook it into the outlet hook (11).

- ▶ Engage the clutch.

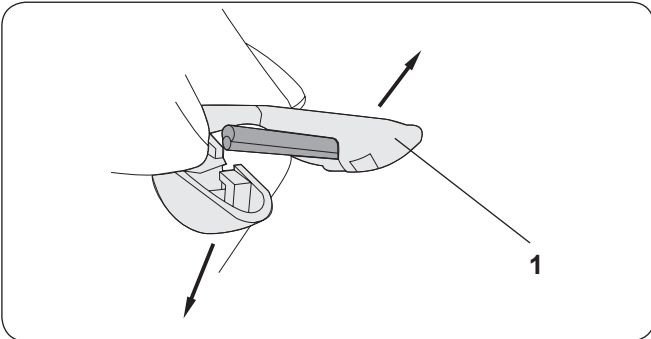


## Replacement and cleaning of tension rings

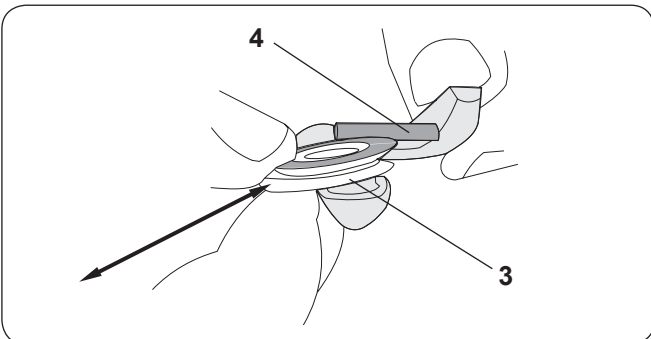
► Compress the tension ring holder (1) on both sides.



► Fold down the tension ring holder (1) and completely remove it from the tension arm (2).



► Bend the tension ring holder (1) open.



► Replace or clean the tension rings (3) by sliding them out to the ends.



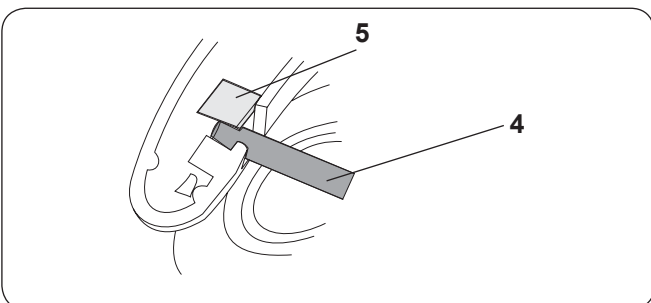
### NOTE!

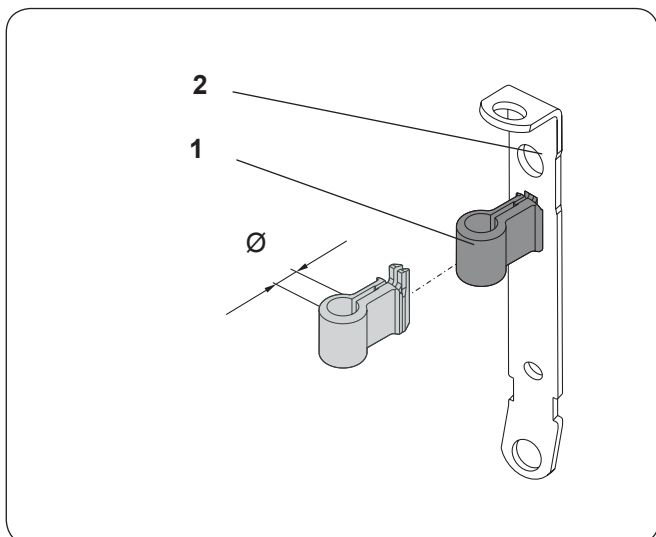
Make sure that the tension rings (3) are not scratched by the tension pin (4).



### ATTENTION!

It is imperative that the tension pin (4) is underneath the lug (5) during compression. If this is not the case, the tensioner cannot be clipped back into the tensioner guide (2).

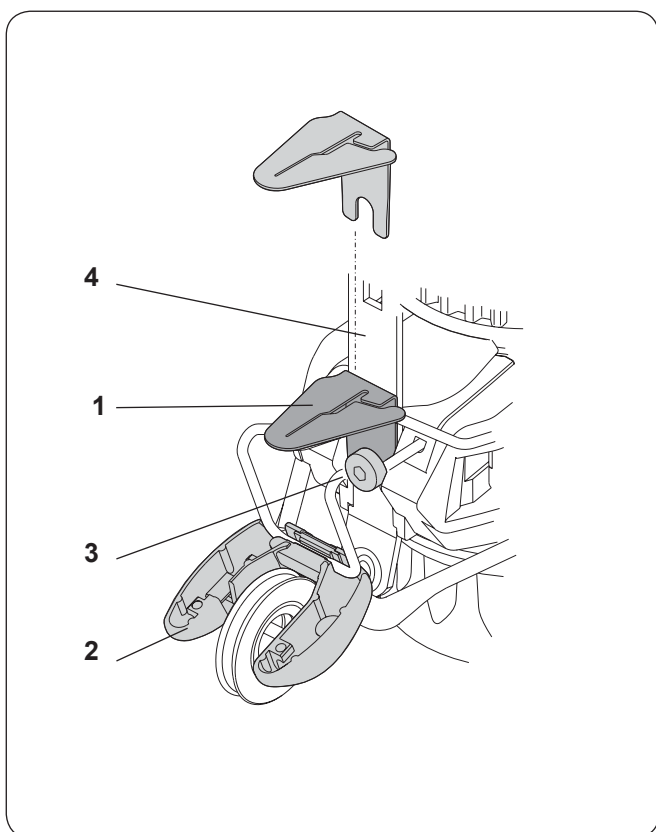




## Tube holder

For closed yarn guiding, tube holders (1), depending on the tube diameter, are clipped into the inlet bracket (2) as illustrated in the drawing.

| Tube holder Ø | Item no.    |
|---------------|-------------|
| 8.0 mm        | 001.260.046 |
| 9.5 mm        | 001.260.049 |
| 10.0 mm       | 001.260.050 |



## Knot catcher



### NOTE!

The knot catcher (1) prevents slubs in the yarn, multiple yarn windings from the package, knots which are too thick and contamination.

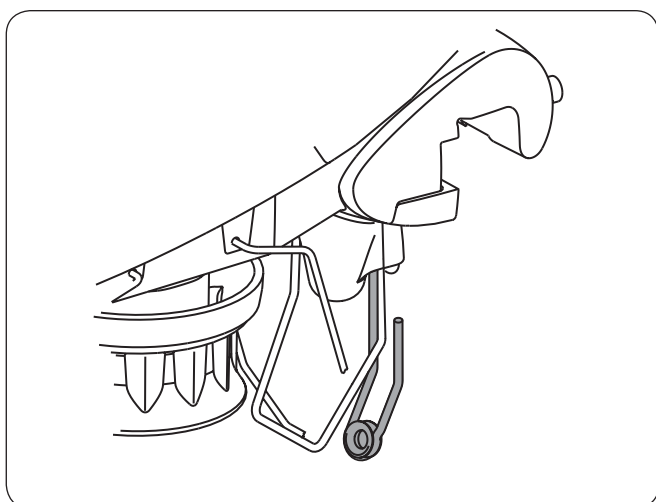
- ▶ Compress the tension ring holder (2) on both sides and fold it down.
- ▶ Release the screw (3), insert the knot catcher between the inlet bracket (4) and the screw (3) to the end stop and re-tighten the screw.

The following knot catchers are available depending on the yarn gauge:

| Yarn count (dtex): | < 80 | < 100 | 100 - 200 | 150 - 250 | 200 - 400 | 300 - 500 | > 500 |
|--------------------|------|-------|-----------|-----------|-----------|-----------|-------|
| Slot width d (mm): | 0,2  | 0,4   | 0,5       | 0,6       | 0,8       | 1,0       | 1,2   |
| Item No.:          | .02  | .04   | .05       | .06       | .08       | .10       | .12   |
| 001.270.051        |      |       |           |           |           |           |       |

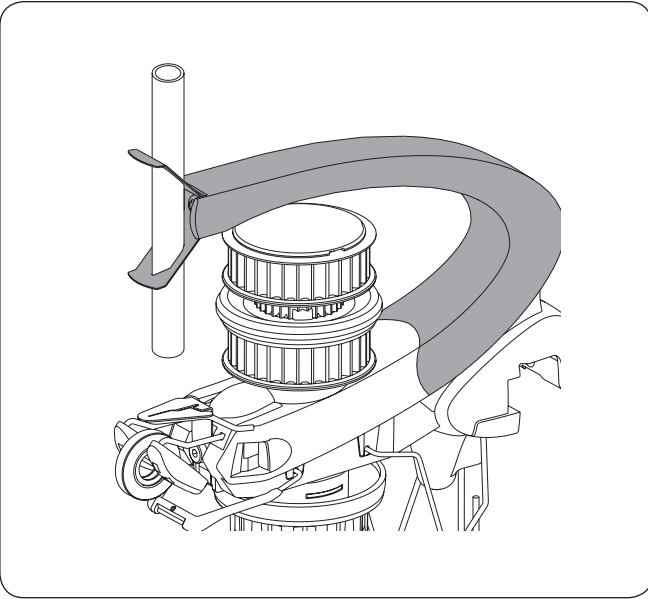
**Example: Slot width d = 0.6 mm = Item no. of the knot catcher: 001.270.051.06**

The values listed in the table serve only as guidelines.



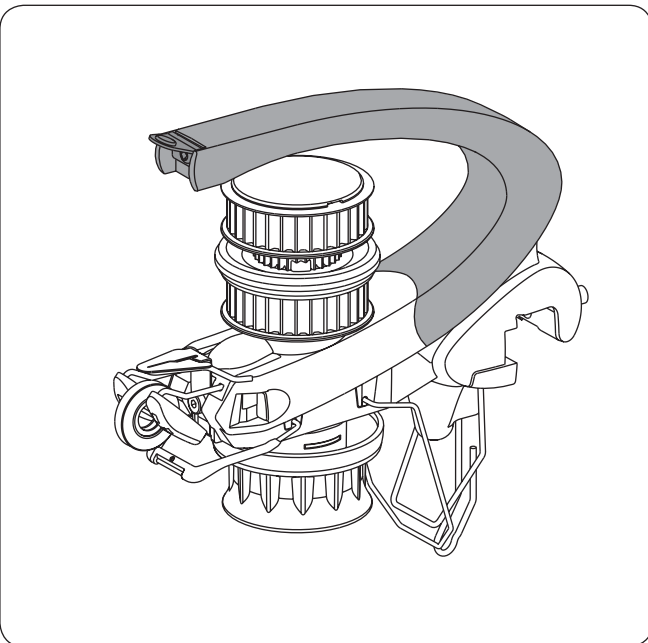
## Outlet hook with grooved eyelet

For circular knitting machines with a higher positioned yarn reel-off, the outlet hook with grooved eyelet is available as an option (Item 001.200.102). This ensures an exact yarn guide.



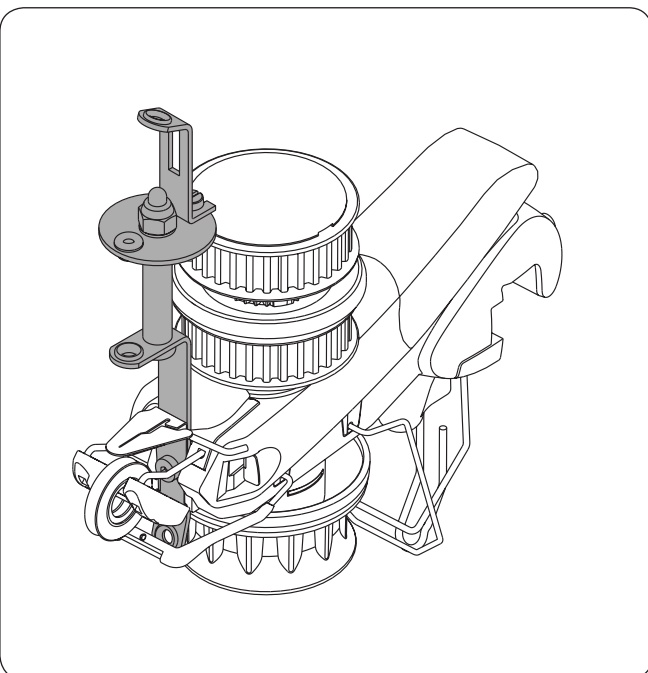
### Inlet arm with tube clip

(Item 001.100.168)



### Inlet arm with eyelet holder

(Item 001.100.167)



### Barrel tensioner

(Item 001.100.147.10 )

## Installing inlet arm (conversion set)

- ▶ Press the screw driver in the middle between the MPF-L enclosure and the cover (1).

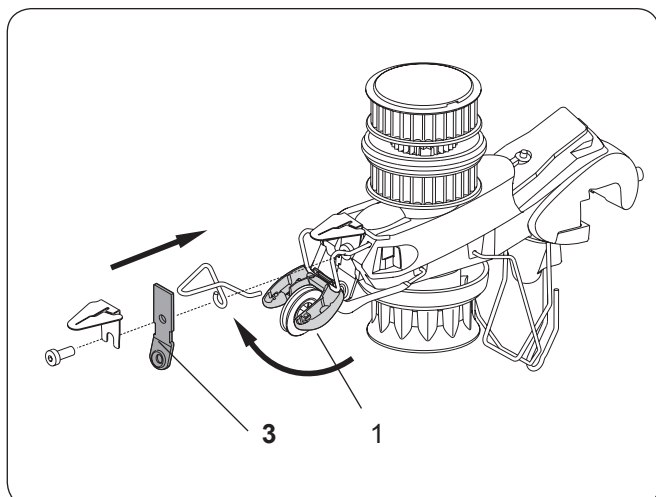
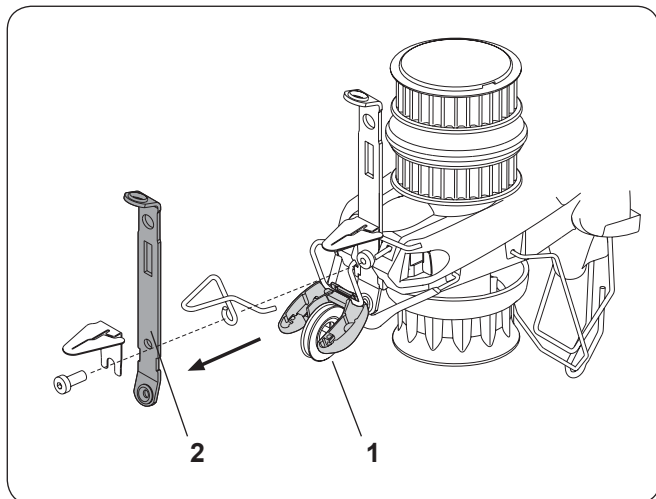
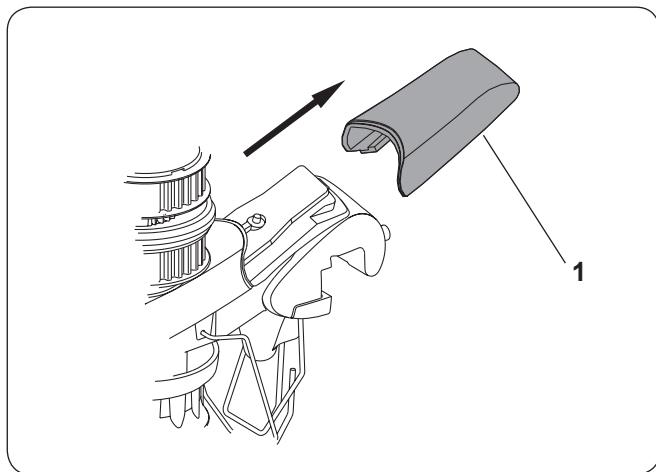
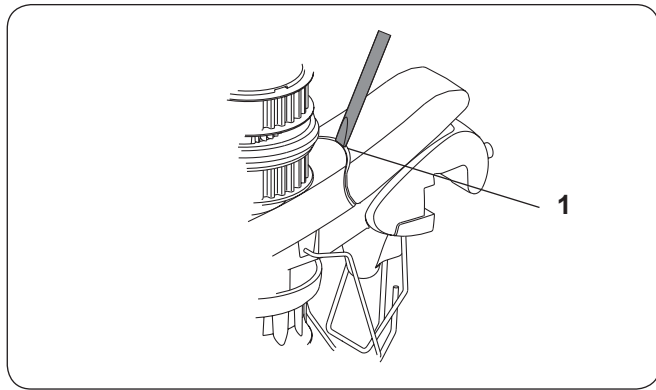
- ▶ Slide the cover to the (1) back.

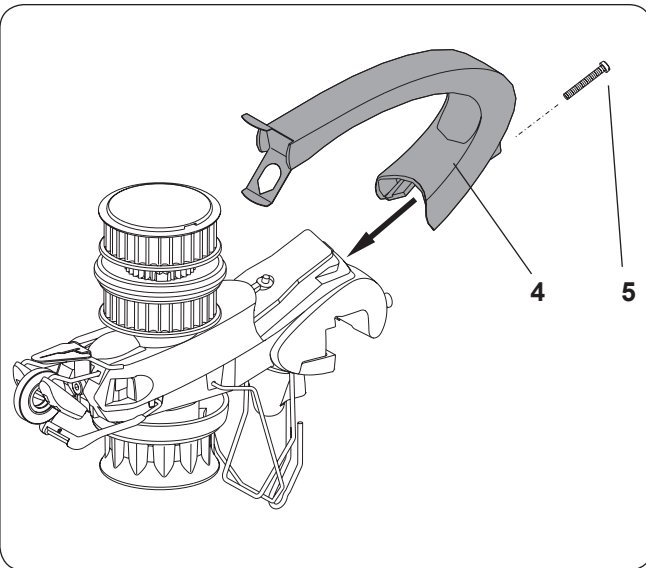
- ▶ Fold down the magnetic tensioner (1).

- ▶ Remove the inlet bracket (2).

- ▶ Screw on the eyelet holder (3).

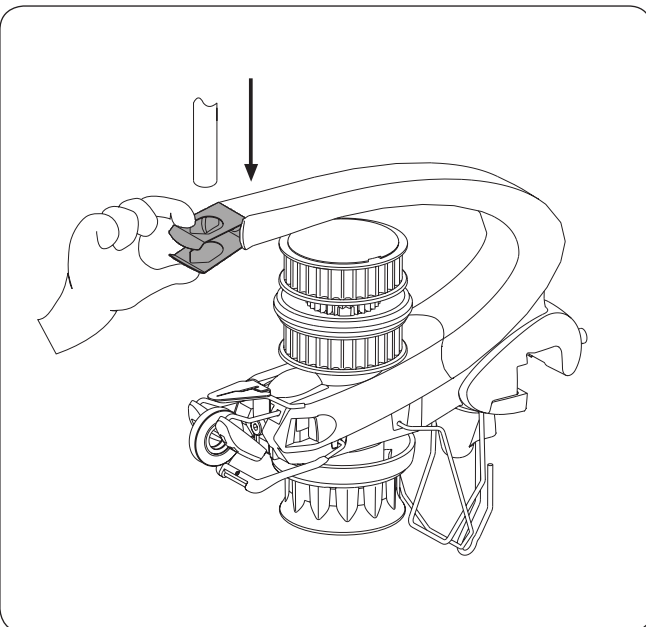
- ▶ Fold up the magnetic tensioner (1).





## Installing inlet arm

- ▶ Slide the inlet arm (4) to its intended position and fix it with a PT screw (5).

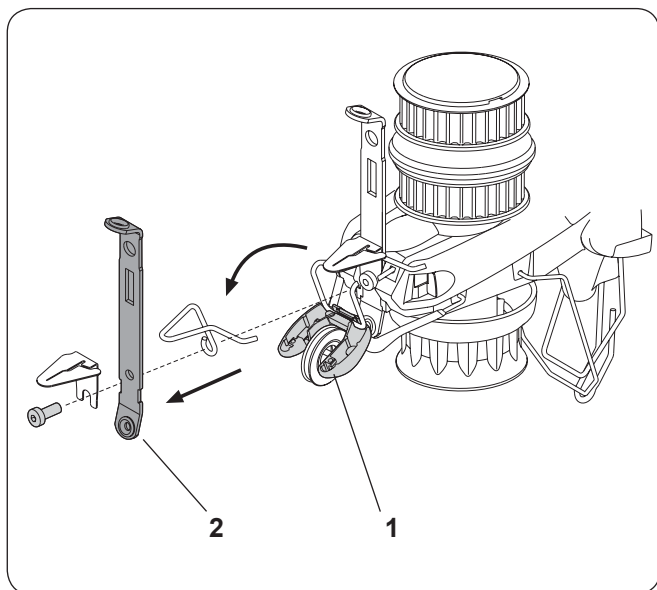


## Fitting the yarn tube to the tube clip

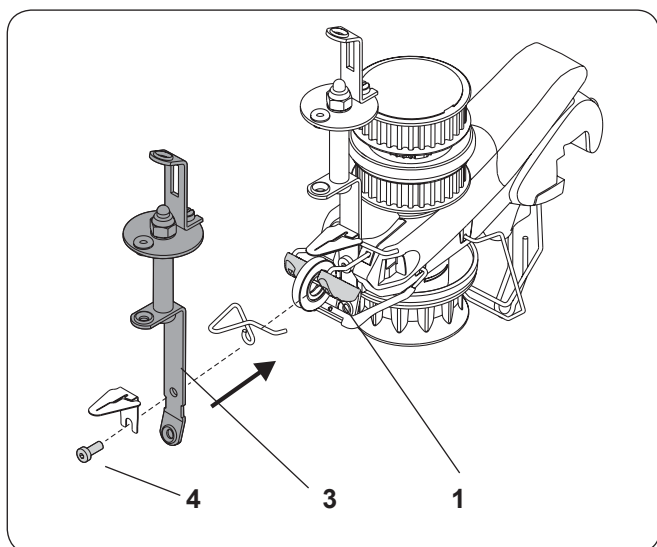
- ▶ Compress the tube clip (Item 001.270.055) and push the tube through the tube clip.

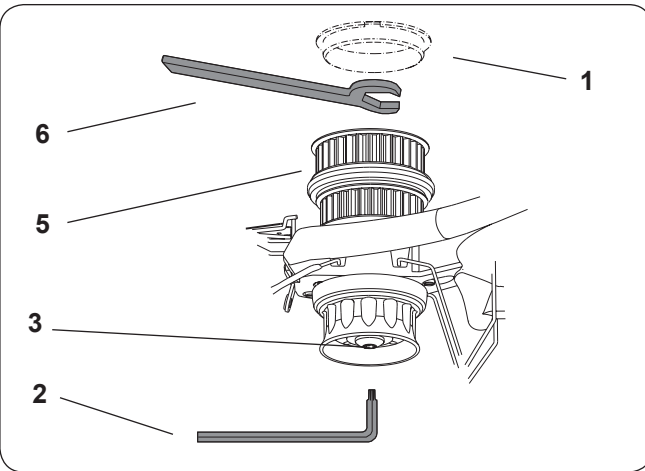
## Installing barrel tensioner

- ▶ Fold down the magnetic tensioner (1).
- ▶ Remove the inlet bracket L (2).



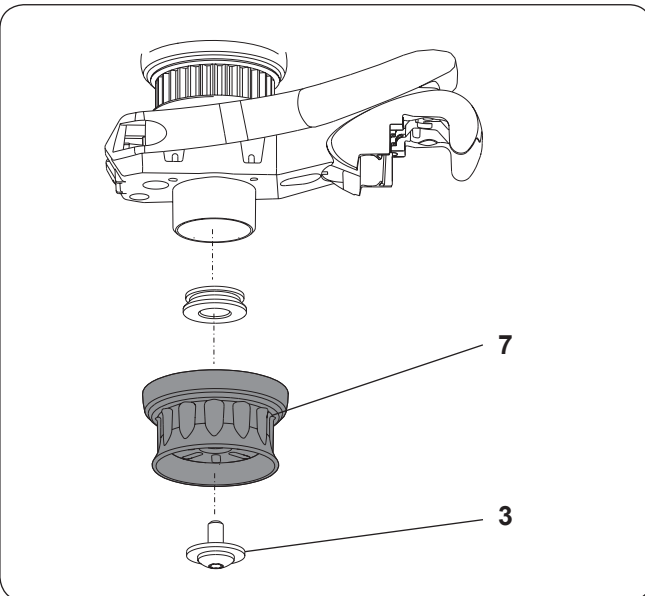
- ▶ Fix the barrel tensioner (3) using a cylinder screw (4).
- ▶ Fold up the magnetic tensioner (1).



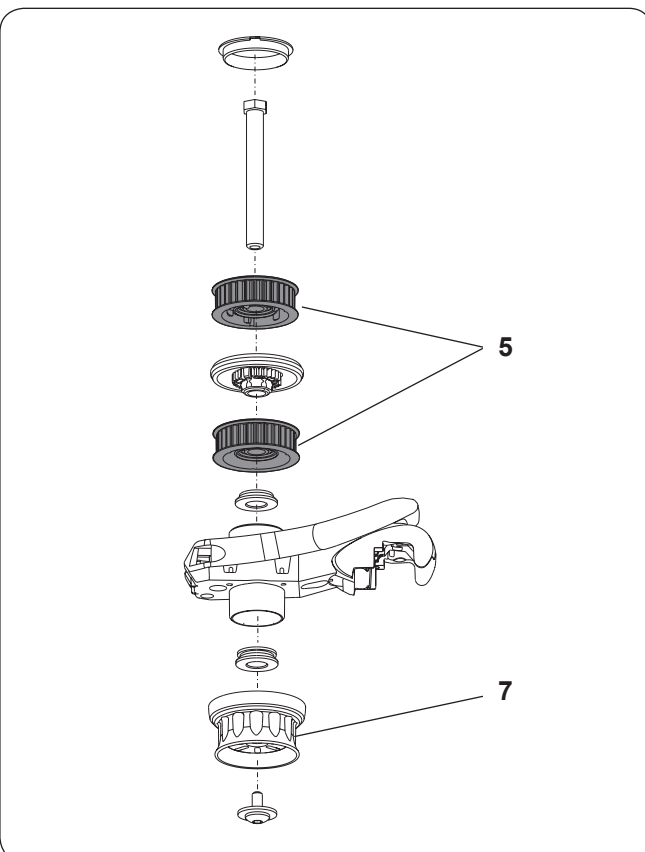


## Removing the feed wheel

- ▶ Remove the dust cap (1).
- ▶ Use the key (6) to secure the nut against the shaft .
- ▶ Unscrew the combined pan head screw (3) using a Torx T30 driver (2) (Item 000.690.029).



- ▶ Remove the feed wheel (7).



## Removing drive pulleys

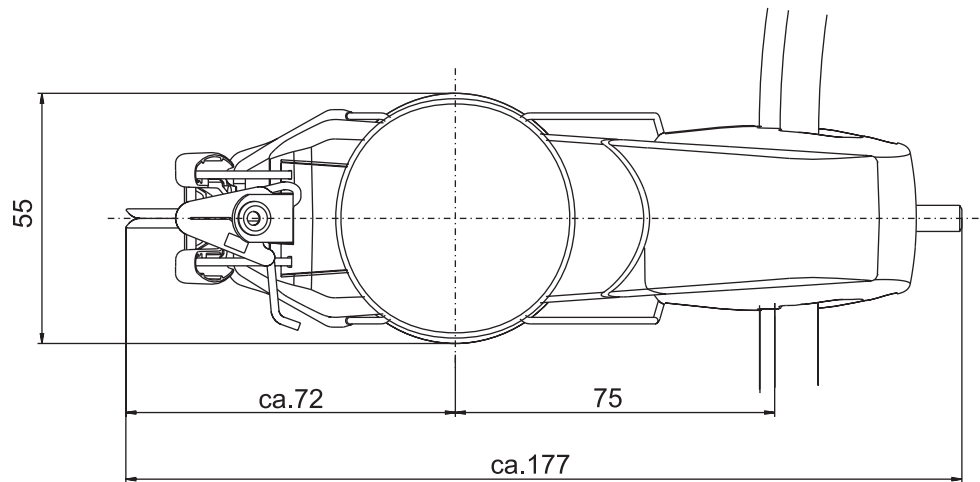
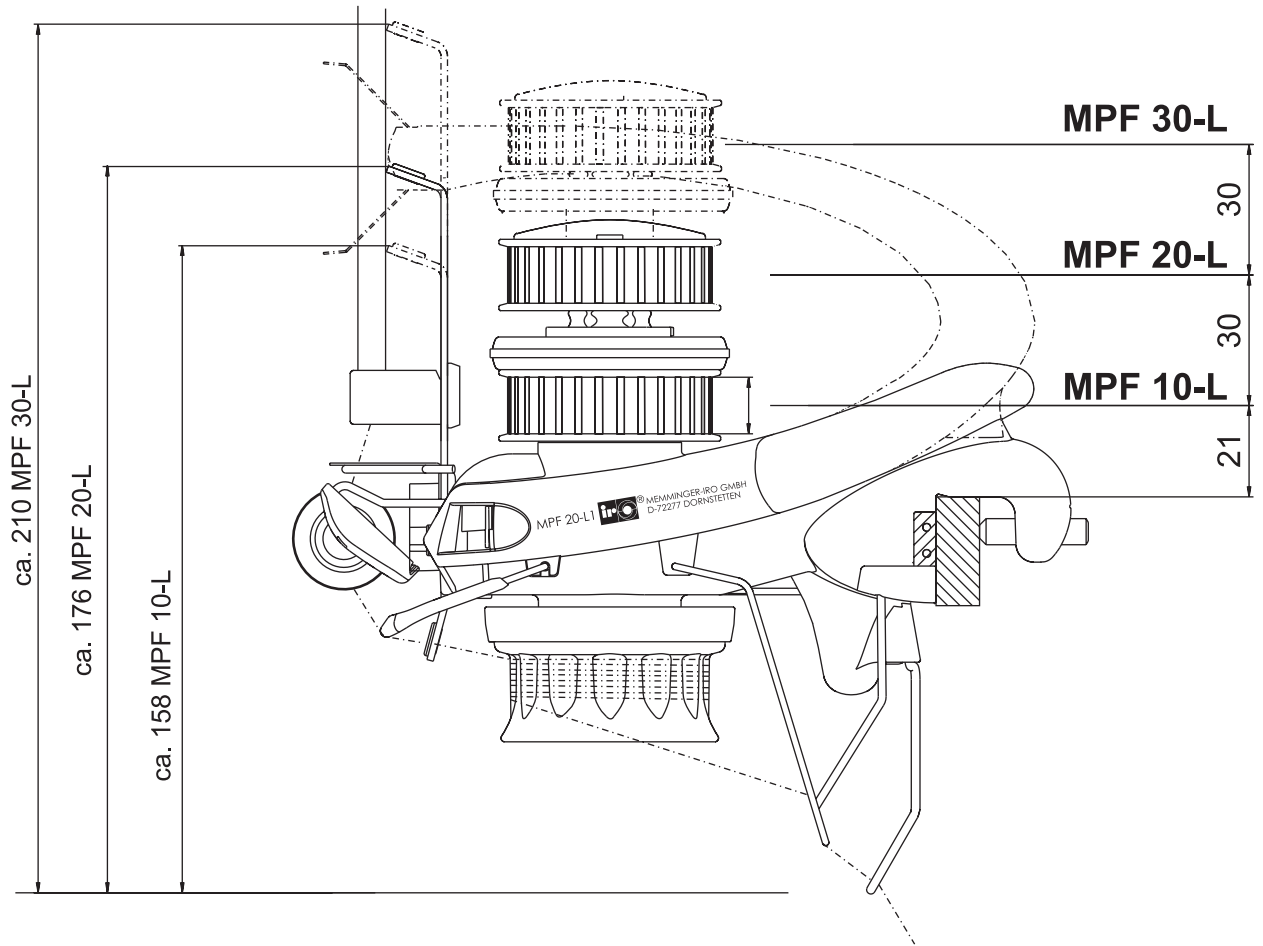
- ▶ Take off the feed wheel (7).
- ▶ Take off the drive pulley/s (5).



| <b>Fault / message during operation:</b>                      | <b>Possible reason:</b>   | <b>Remedy:</b>   |
|---|---|--|
| Stop motion does not activate                                 | No connection to earth at the ring  | Correct the ring earth connection at the contact to the flat cable |
| Short-circuit in the stop motion circuit                      | Faulty connection to the flat cable   | Correct the connection to the flat cable                           |
| Stop motion arms do not drop, the device does not switch off  | Stop motions remain locked out after lockout operation                          | Deactivate the stop motion lockout                                 |
| Stop motion activates due to a yarn break but no lamp is lit. | Defective incandescent lamp   | Replace the incandescent lamp                                      |
| The yarn windings slip off the feed wheel                     | The reel-off angle of the yarn is too steep                                     | Set to flat reel-  |
| Filament rings collecting on the feed wheel                   | The reel-off angle of the yarn is too flat                                      | Set to steep reel-off  |
| Overwindings on the feed wheel                                | The feed wheel is contaminated<br>There are too many windings on the feed wheel | Clean the feed wheel put approx. 20 winding onto the feed wheel    |
| The feed wheel does not rotate                                | Disengaged clutch   | Engage the clutch upwards or downwards                             |

## Technical data

|                             |                              |
|-----------------------------|------------------------------|
| Rated voltage:              | 12 or 24V                    |
| Rated current:              | 60mA or 50mA                 |
| Min. yarn tension:          | 1g                           |
| Weight (without packaging): | approx. 430g to approx. 660g |



**MEMMINGER-IRO GmbH**  
**Postfach 1240**  
**D-72277 DORNSTETTEN**  
**Jakob-Mutz-Straße 7**  
**D-72280 DORNSTETTEN**

**Tel.: (0)7443-281-0**  
**Fax: (0)7443-281-101**  
**E-Mail: [info@memminger-iro.de](mailto:info@memminger-iro.de)**  
**Internet: [www.memminger-iro.de](http://www.memminger-iro.de)**